

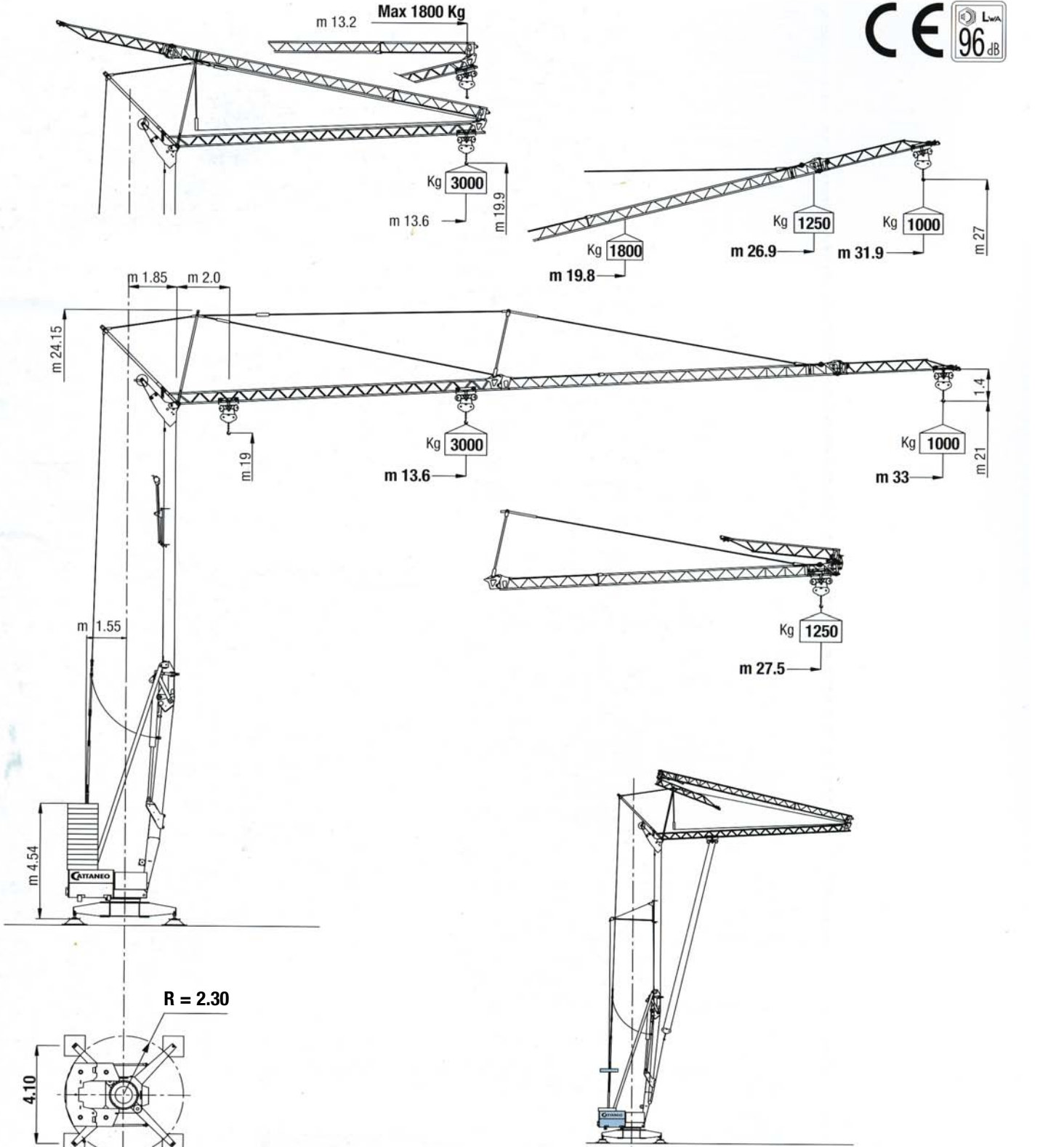


**WEAVING MACHINERY**  
tel: 01386 49155

# CM 82S4

**Hydraulic Crane - Quick Assembling**

## Schematics



**LOAD DIAGRAMS**

kg	3000	2500	2000	1900	1800	1700	1600	1500	1400	1300	1250	1100	1000
m	13.6	15.8	18.9	19.7	20.6	21.5	22.6	23.9	25.2	26.8	27.5	30.6	33.0
m	13.6	16.0	19.1	19.9	20.8	21.7	22.8	24.1	25.4	27.0	27.5		
m					19.9	20.9	21.9	23.1	24.4	25.9	26.9	29.6	31.9