

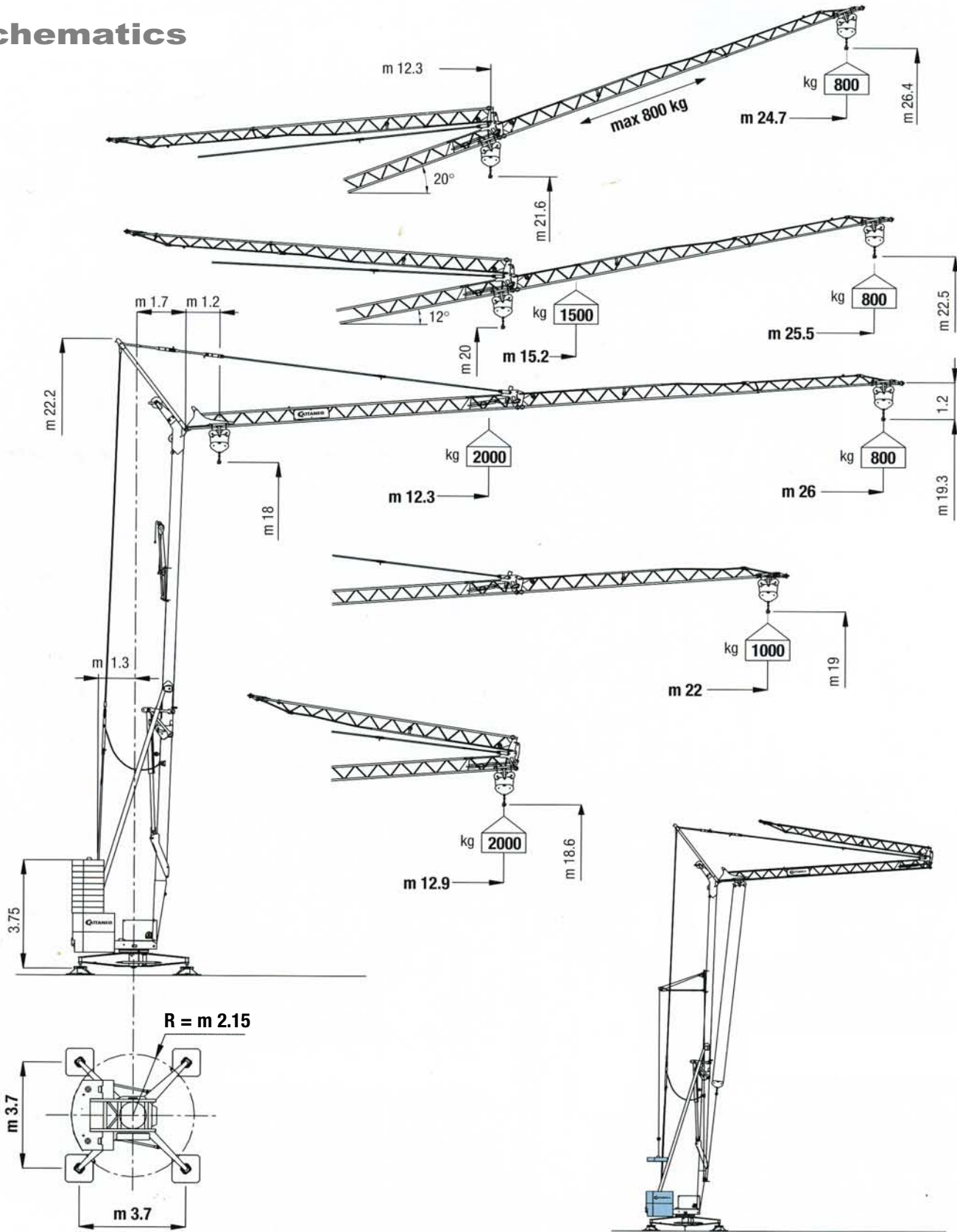


WEAVING MACHINERY
tel: 01386 49155

CM 76B

Hydraulic Crane - Quick Assembling

Schematics



LOAD DIAGRAMS

kg	2000	1800	1600	1500	1400	1200	1000	800
m	12.3	13.4	14.7	15.5	16.4	18.6	21.6	26.0
m	12.4	13.5	14.9	15.7	16.6	18.9	22.0	
m				15.2	16.1	18.3	21.2	25.5

