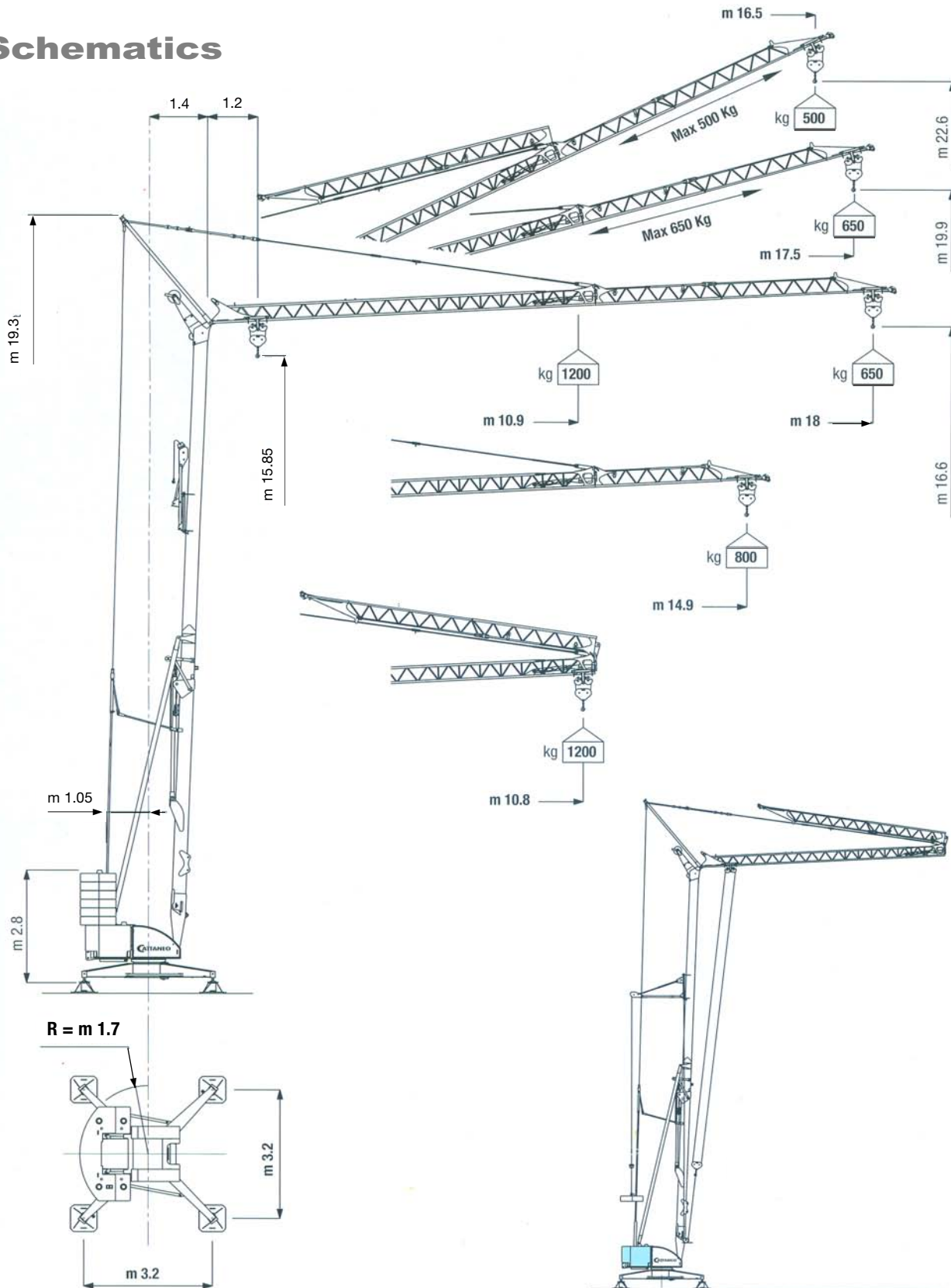




**WEAVING MACHINERY**  
tel: 01386 49155

# CM 61S2 Hydraulic Crane - Quick Assembling

## Schematics



### LOAD DIAGRAMS

kg	1200	1150	1100	1050	1000	950	900	850	<b>800</b>	750	700	<b>650</b>
m	10.9	11.2	11.6	12.0	12.6	13.1	13.7	14.5	15.1	16.0	16.9	<b>18.0</b>
m	10.8	11.1	11.5	11.9	12.4	13.0	13.6	14.2	<b>14.9</b>			