

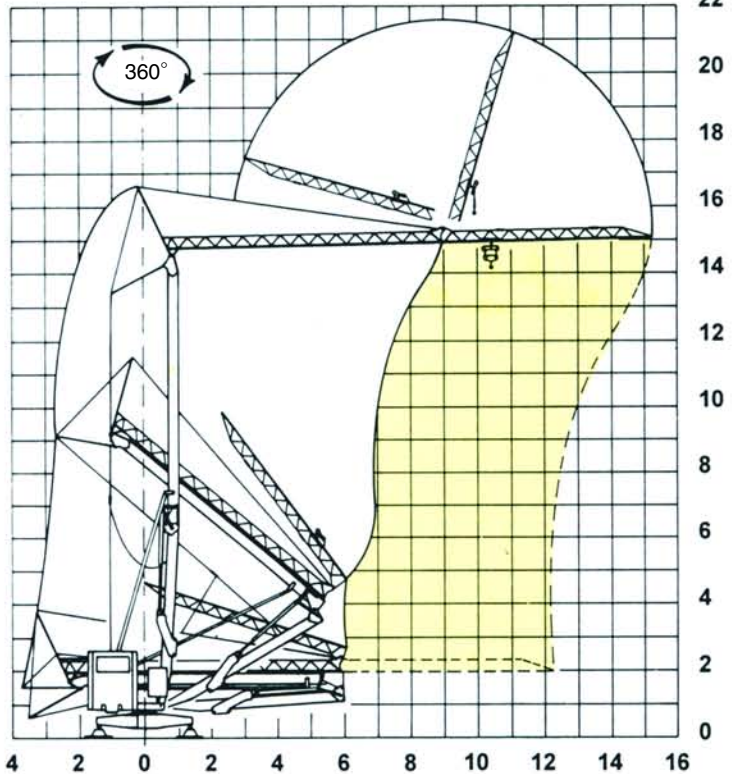
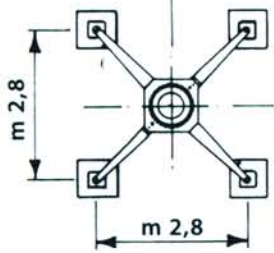
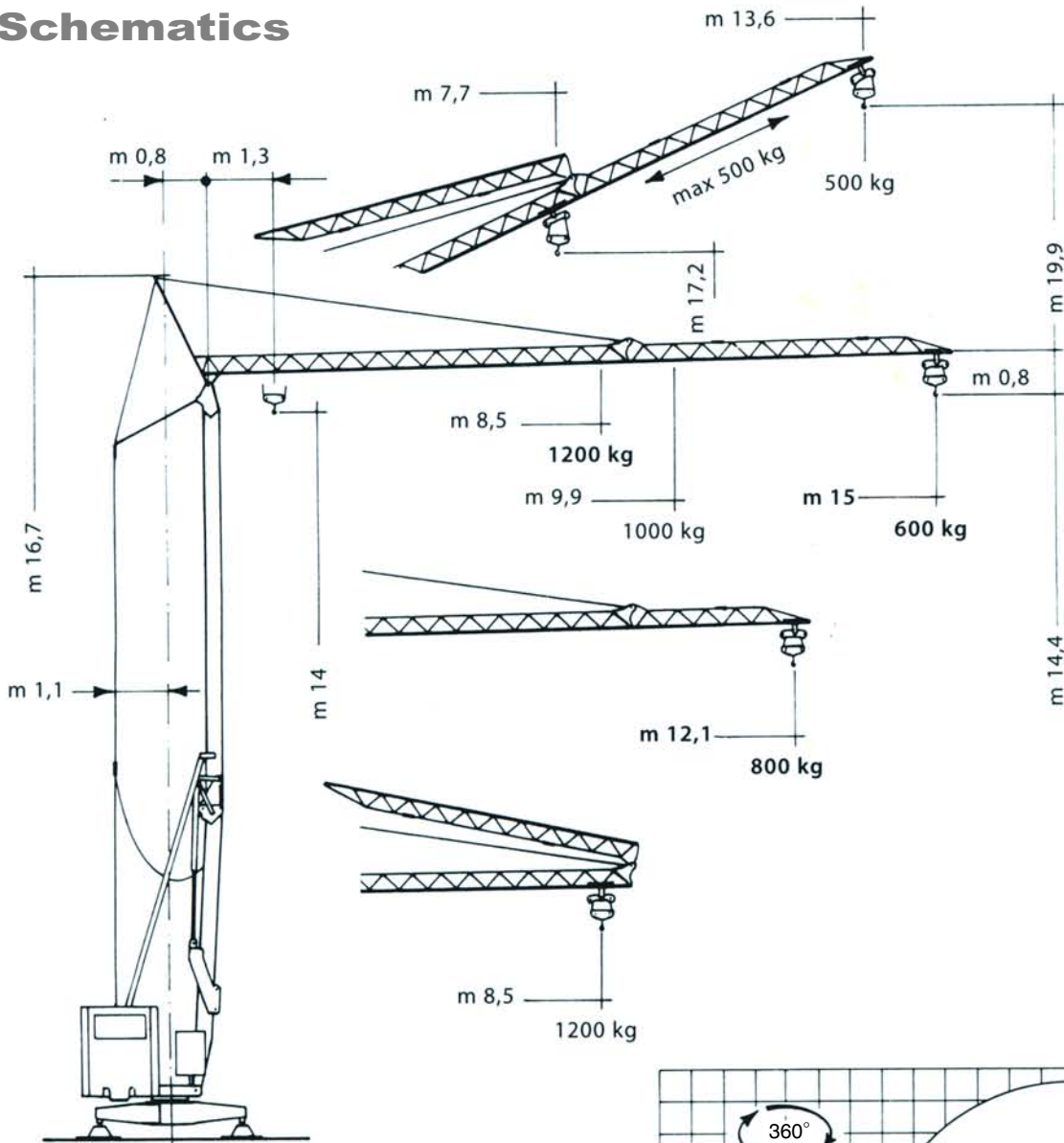


**WEAVING MACHINERY**  
tel: 01386 49155

# CM 60B

**Hydraulic Crane - Quick Assembling**

## Schematics



### LOAD DIAGRAMS

kg	1200	1100	1000	900	800	700	600
m	8.5	9.2	9.9	10.9	12.1	13.1	15.0
m	8.5	9.2	9.9	10.9	12.1		